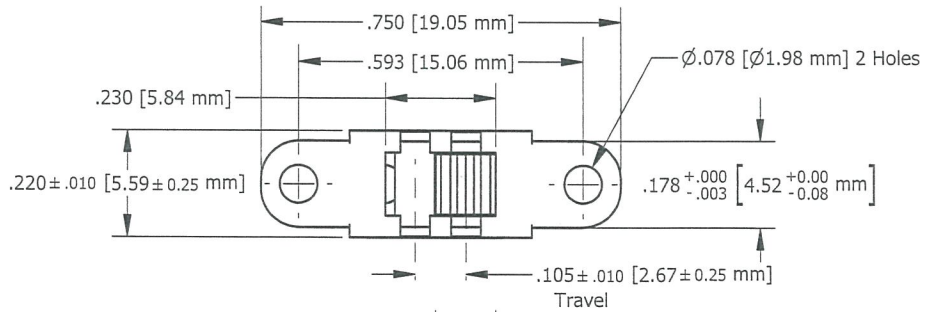


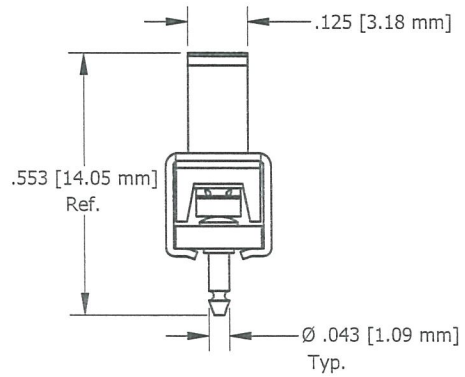
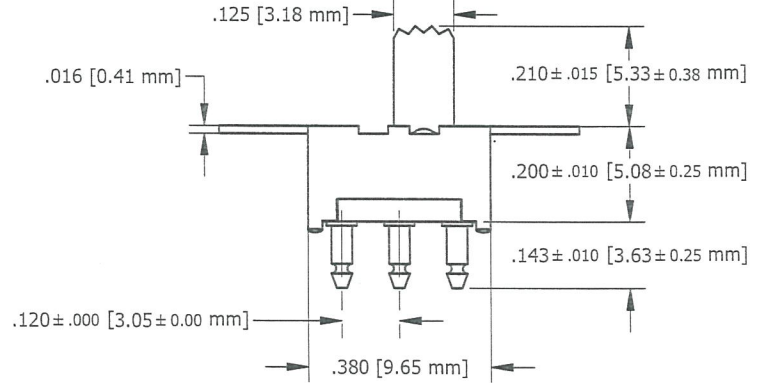
THIS INFORMATION IS CONFIDENTIAL AND PROPRIETARY TO CW INDUSTRIES INCORPORATED AND ITS AFFILIATES. IT MAY NOT BE DISCLOSED TO ANYONE OTHER THAN CW INDUSTRIES PERSONNEL, WITHOUT WRITTEN AUTHORIZATION FROM CW INDUSTRIES INCORPORATED, SOUTHAMPTON, PENNSYLVANIA USA.


DIMENSIONS IN INCHES (MILLIMETERS)
DO NOT SCALE DRAWING

Dwg. No.		GS-115-0098	
REVISIONS	0	NEW.	REVISED 10/24/18
			DGW 10/24/18



Button: Nylon 6/6, Color - Black



 CW INDUSTRIES Southampton, Pa. 18966	Title: SWIDGET JR. ASSEMBLY S.P. - D.T.	
	TOLERANCES UNLESS OTHERWISE SPECIFIED 2 Place Decimal ± .010 METRIC 3 Place Decimal ± .005 1 Place Dec. ± .25mm Angles ± 1' 2 Place Dec. ± .13mm	
Made for: CW IND.	Division: SWITCH	
Drawn by: DGW 10/24/18	Dwg. No. GS-115-0098	
Checked by: G. Guld 10-26-18		
Approval: <i>[Signature]</i> 10/31/18		

MASTER

1 2 3 4 5 6 7 8 9 10